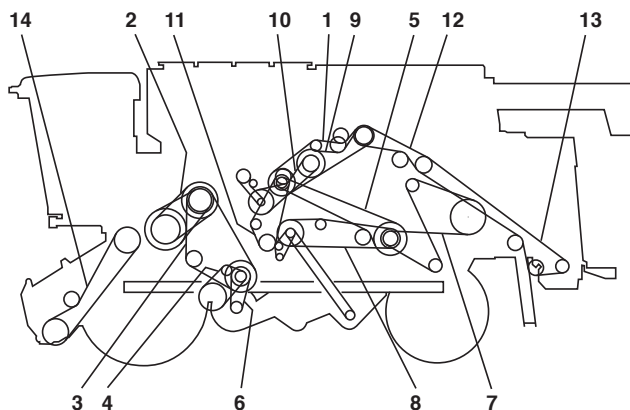
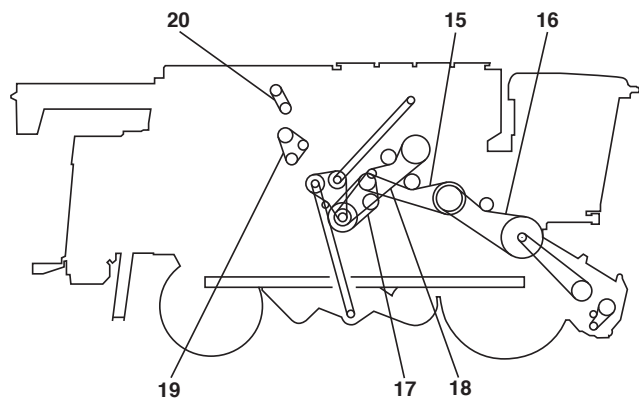
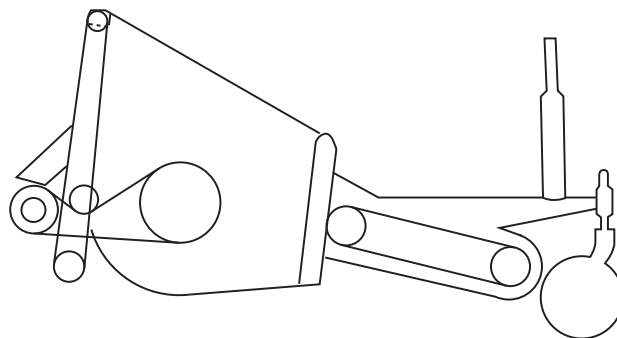
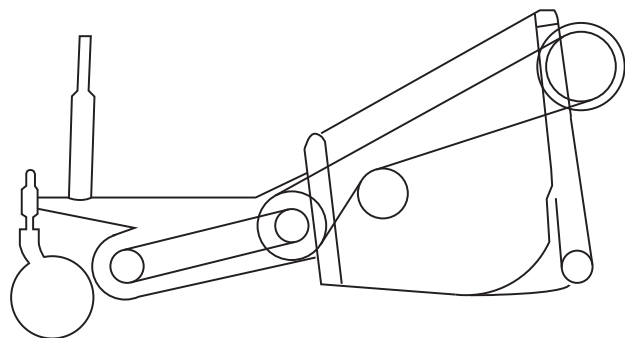


ROSTSELMACH ACROS 530

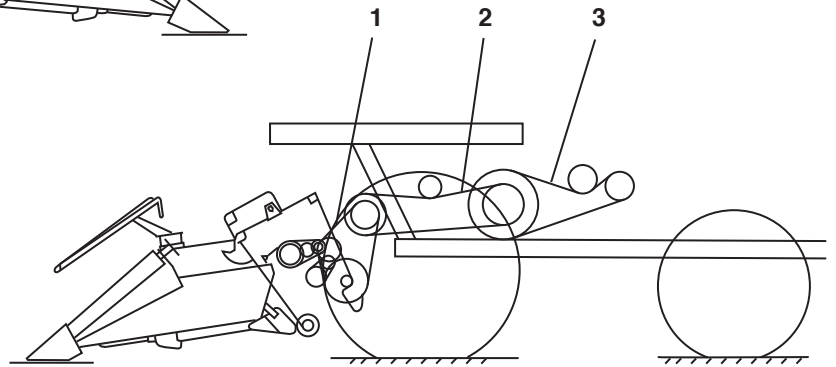
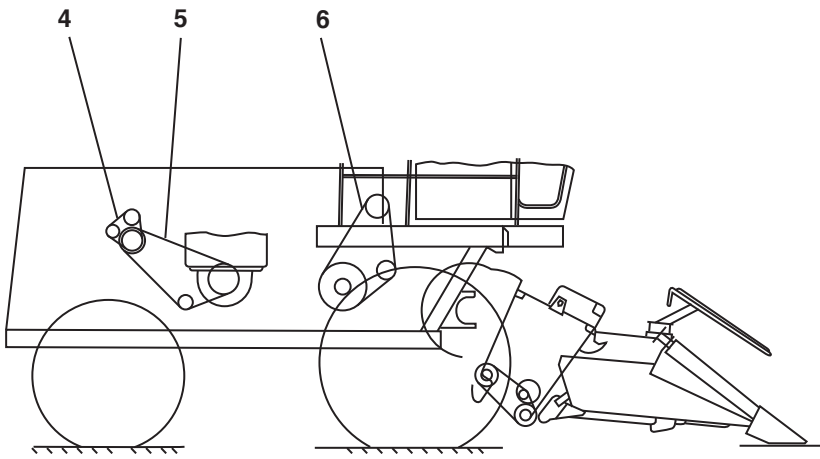


PICK UP PLATFORM

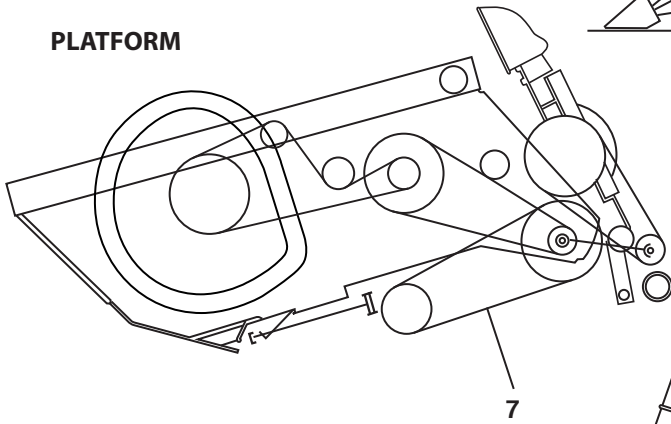


1	MAIN COUNTERDRIVE	1	6201249	2649360
2	DRUM VARI - DRIVE	1	6201246	2899383
3	CLEANING FAN COUNTERDRIVE	1	6201297	1419300
4	CLEANING SHAFT DRIVE	2	6201269	1437204
5	REAR COUNTERDRIVE	1	6201378	1423364
6	CLEANING FAN DRIVE	1	6201273	2811136
7	SHAKER	1	6201326	1902376
8	ELEVATOR	1	6201275	0337348
9	AUGER FOR UNLOADING	1	6201316	2823241
10	UNLOADER BOTTOM SPEED REDUCER	1	6201316	2823241
11	FINAL THRESHING UNIT	1	6201376	1837245
12	CUTTING DRUM COUNTERDRIVE	1	6201316	2823241
13	CUTTING DRUM	1	6201375	0723443
14	TRANSMISSION SHAFT	1	6201094	2825366
15	BEATER DRIVE	1	6201377	2849346
16	TILTED PLATFORM CHAMBER SHAFT	1	6201251	2625326
17	GRAIN COUNTERDRIVE	1	6201263	1819202
18	AUGER	1	6201275	0337348
19	DUST REMOVING FAN	1	6201028	0101105
20	AC COMPRESSOR DRIVE	1	6201371	0172214
21	PICK UP FEEDER DRIVE	1	/	0302240
22	TILTED CHAMBER COUNTERDRIVE	1	6201094	2825366
23	CUTTING UNIT DRIVE	1	6201271	1437204

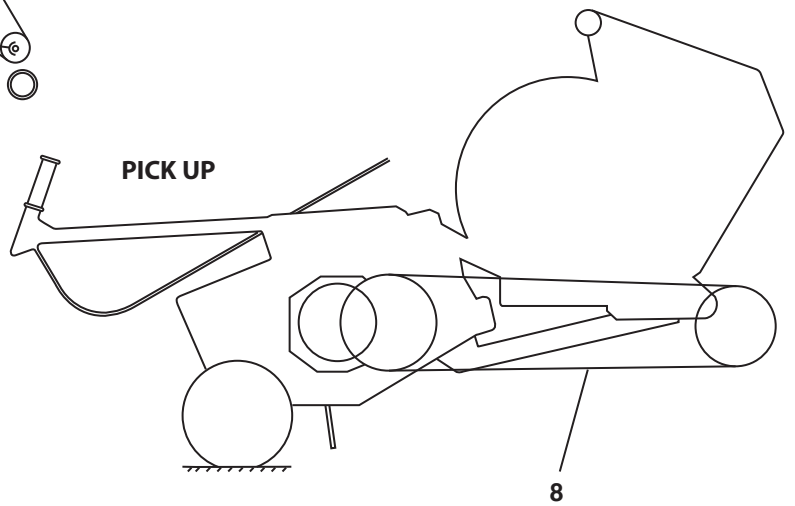
ROSTSELMACH DON 680






PLATFORM

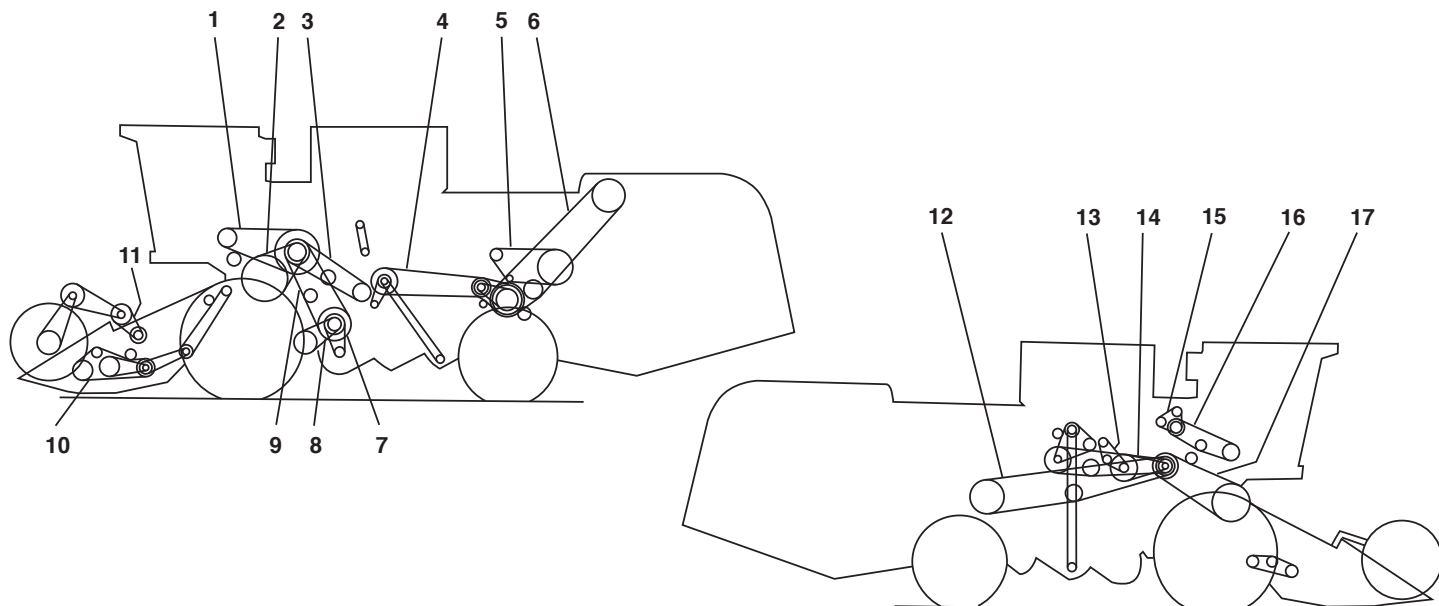


PICK UP



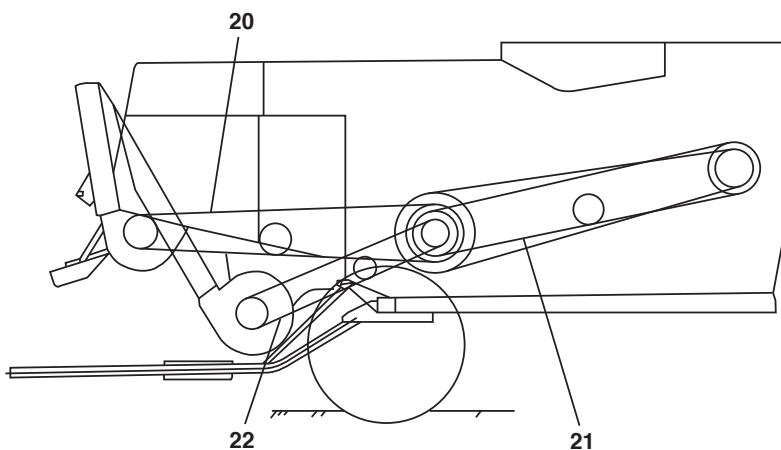
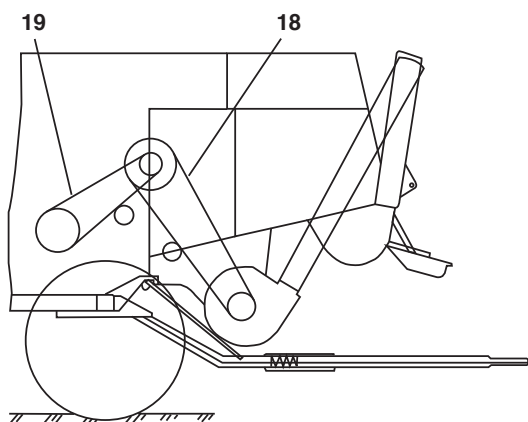
			OE	
1		1	6201249	2649360
2		1	6201269	1437204
3		4	6201166	1819202
4		1	6201264	0225245
5		1	6201264	0225245
6		1	6201247	2884427
7		3	6201269	1437204
8		1	6201316	2823241

ROSTSELMACH DON 1500A



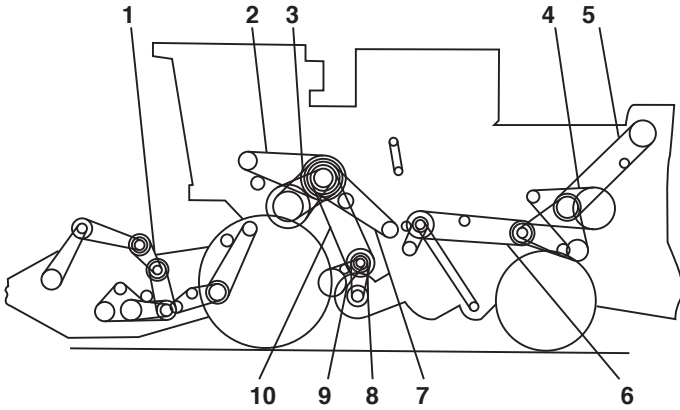
CUTTER PKN1500

CUTTER PKN1500

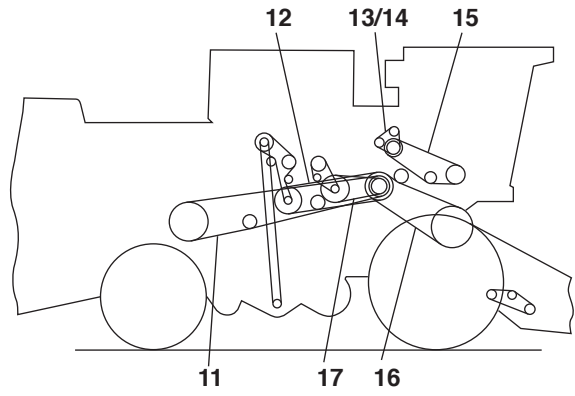


1	THRESHER	1	6201249	2649360
2	DRUM VARI - DRIVE	1	6201246	2899383
3	FINAL THRESHING UNIT	1	6201272	0337304
4	ELEVATOR	1	6201275	0337348
5	SHAKER	1	6201326	1902376
6	STRAW STACKER DRIVE	2	6201270	1519452
7	CLEANING FAN DRIVE	1	6201273	2811136
8	CLEANING SHAFT DRIVE	2	6201269	1437204
9	CLEANING FAN COUNTERSHAFT	1	6201297	1419300
10	CUTTING UNIT KNIFE	1	6201253	1519244
11	REEL VARI-DRIVE	1	6201273	2811136
12	REAR COUNTERDRIVE	1	6201260	2819534
13	GRAIN COUNTERDRIVE	1	6201197	2619352
14	UNLOADER COUNTERDRIVE	2	6201254	1819202
15	AC COMPRESSOR DRIVE	2	6201327	0172220
16	HYDRAULIC PUMP, OIL RADIATOR FAN DRIVE	1	6201264	0225245
17	TILTED PLATFORM CHAMBER	1	6201251	2625326
18	FAN DRIVE	1	6201275	0337348
19	FAN COUNTERDRIVE	1	6201266	1837267
20	CUTTING DRUM	2	6201328	2819482
21	CUTTING DRUM COUNTERDRIVE	2	6201260	2819534
22	AUGER	1	6201325	2602304

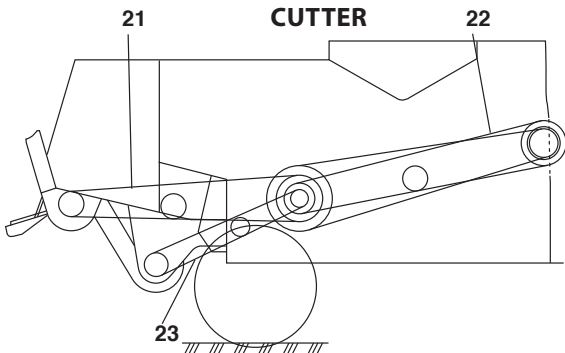
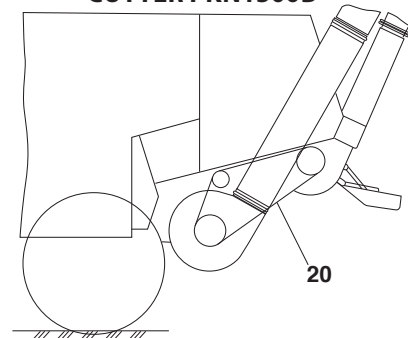
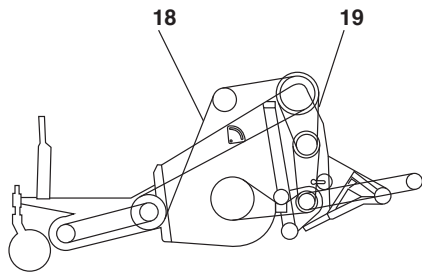
ROSTSELMACH DON 1500B



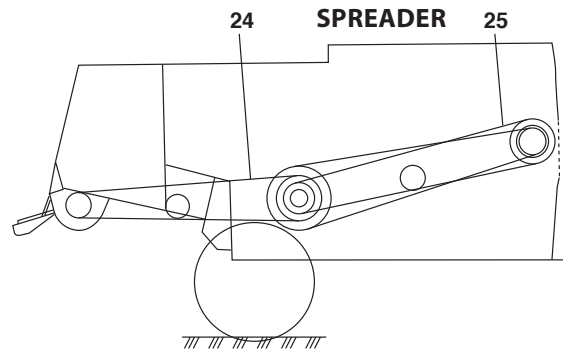
PICK UP PLATFORM








CUTTER PKN1500B








CUTTER



SPREADER

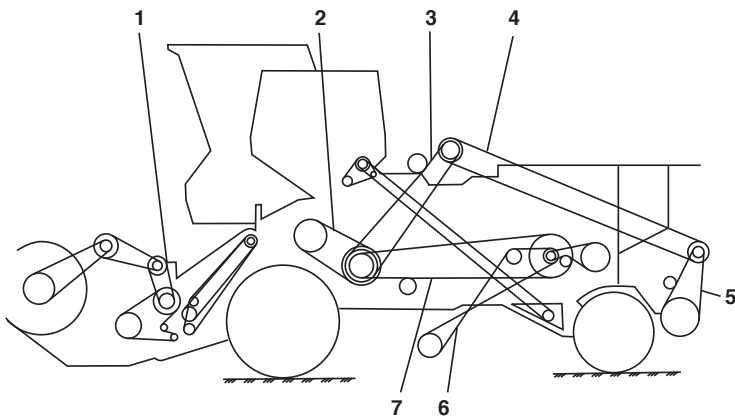
					
1	REEL VARI-DRIVE		1	6201273	2811136
2	THRESHER		1	6201249	2649360
3	DRUM VARI - DRIVE		1	6201246	2899383
4	SHAKER		1	6201326	1902376
5	STRAW STACKER DRIVE		2	6201197	2619352
6	ELEVATOR		1	6201275	0337348
7	FINAL THRESHING UNIT		1	6201272	0337304
8	CLEANING FAN DRIVE		1	6201273	2811136
9	CLEANING SHAFT DRIVE		2	6201269	1437204
10	CLEANING FAN COUNTERSHAFT		1	6201297	1419300
11	REAR COUNTERDRIVE		1	6201260	2819534
12	GRAIN COUNTERDRIVE		1	6201297	1419300
13	AC COMPRESSOR DRIVE		2	6201327	0172220
14	AC COMPRESSOR DRIVE		1	6201327	0172220
15	HYDRAULIC PUMP, OIL RADIATOR FAN DRIVE		1	6201264	0225245
16	TILTED PLATFORM CHAMBER		1	6201251	2625326
17	UNLOADER COUNTERDRIVE		2	6201254	1819202
18	PICK UP DRIVE		1	6201347	0702272
19	PICK UP VARIATOR		1	6201273	2811136
20	FAN ROTOR DRIVE		1	6201272	0337304
21	CUTTING DRUM		2	6201328	2819482
22	CUTTING DRUM COUNTERDRIVE		2	6201260	2819534
23	AUGER		1	6201325	2602304
24	CUTTING DRUM		2	6201328	2819482
25	CUTTING DRUM COUNTERDRIVE		2	6201260	2819534

ROSTSELMACH DON 1500M

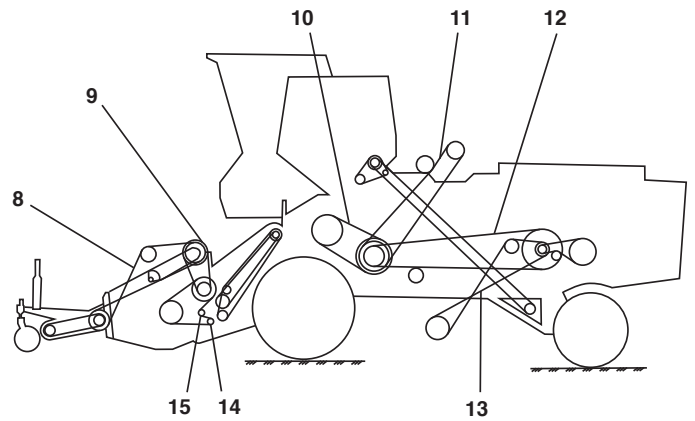
				
1		1	6201246	2899383
2		1	6201251	2625326
3		2	6201269	1437204
4		1	6201273	2811136
5		1	6201275	0337348
6		1	6201297	1419300
7		1	6201326	1902376
8		1	6201371	0172214
9		1	6201094	2825366
10		1	6201375	0723443
11		1	6201376	1837245
12		1	6201275	0337348
13		1	6201263	1819202
14		1	6201316	2823241
15		1	6201316	2823241
16		1	6201316	2823241
17		1	6201377	2849346
18		1	6201249	2649360
19		1	6201378	1423364

ROSTSELMACH NIVA

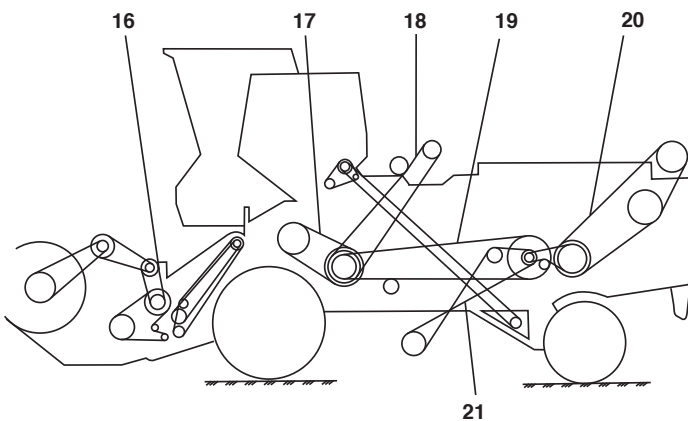
WITH REAPER AND SHREDDER



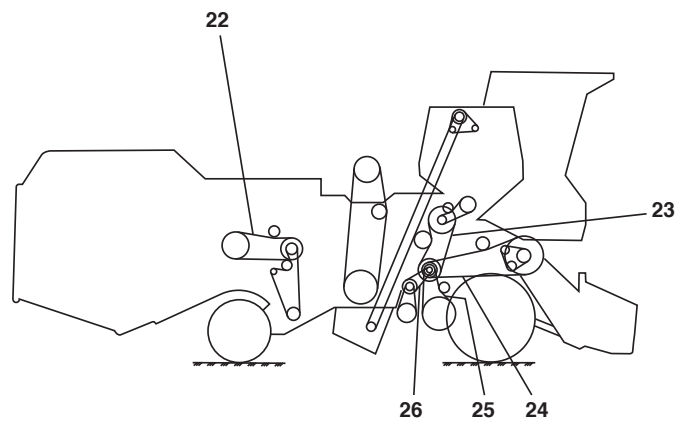
WITH PICK UP AND HOOD



WITH STACKER



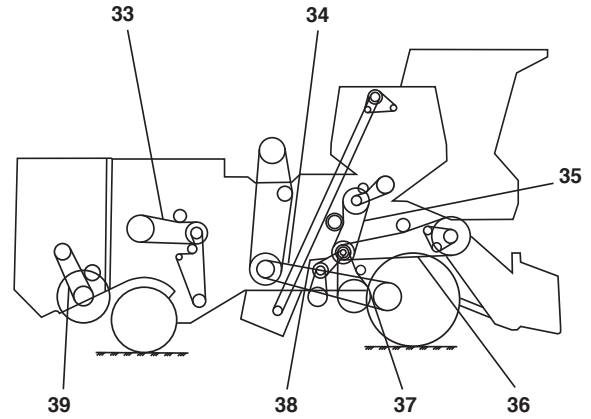
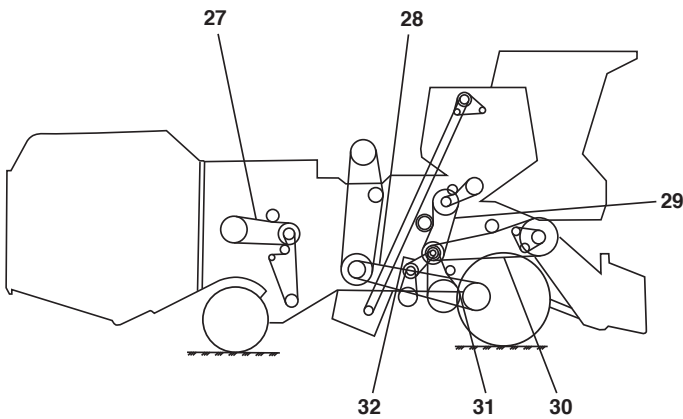
WITH HYDROSTATIC UNDERCARRIAGE AND SHREDDER



ROSTSELMACH NIVA (continued)

WITH MECHANICAL DRIVE UNDERCARRIAGE AND STACKER

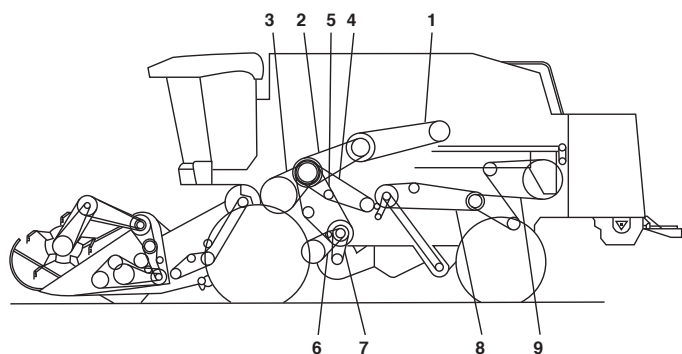
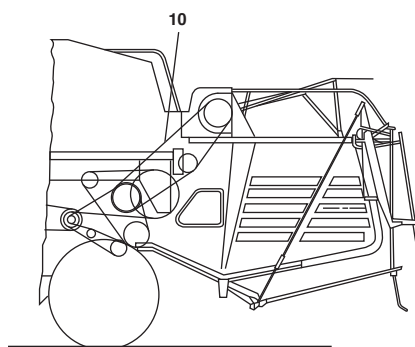
WITH MECHANICAL DRIVE UNDERCARRIAGE AND SHREDDER



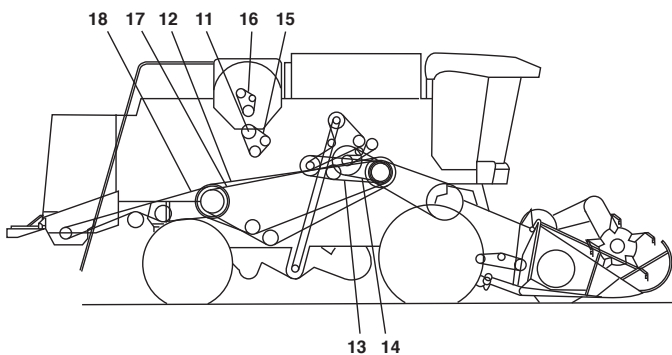
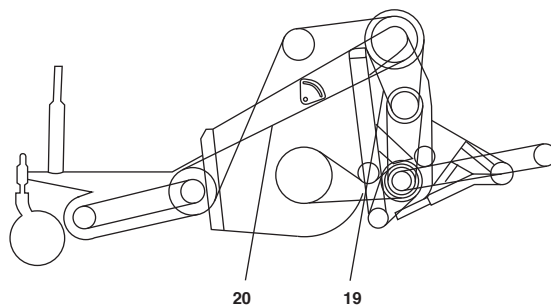
1	REEL VARI-DRIVE	1	6201351	0110126
2	THRESHING DRUM	1	6201258	2013220
3	MAIN COUNTERDRIVE	4	6201256	0202332
4	CUTTING DRUM	2	6201348	1402532
5	AUGER	2	6201355	2001190
6	GRAIN AUGER	1	6201347	0702272
7	REAR MAIN COUNTERDRIVE	1	6201354	2803403
8	PICK UP DRIVE	1	/	0302240
9	REEL VARI-DRIVE	1	6201351	0110126
10	THRESHING DRUM	1	6201258	2013220
11	MAIN COUNTERDRIVE	4	6201256	0202332
12	REAR MAIN COUNTERDRIVE	1	6201354	2803403
13	GRAIN AUGER	1	6201347	0702272
14	GRAIN AUGER	1	6201347	0702272
15	REAR MAIN COUNTERDRIVE	1	6201354	2803403
16	REEL VARI-DRIVE	1	6201351	0110126
17	THRESHING DRUM	1	6201258	2013220
18	MAIN COUNTERDRIVE	4	6201256	0202332
19	STACKER DRIVE	1	6201353	1903346
20	GRAIN AUGER	1	6201347	0702272
21	SHAKER	1	6201346	0302200
22	BEATER DRIVE	2	6201345	0202182
23	TILTED PLATFORM CHAMBER UPPER SHAFT	1	6201290	2603267
24	CLEANING SHAFT DRIVE	1	6201343	0402155
25	CLEANING FAN DRIVE	2	6201352	2502099
26	SHAKER	1	6201346	0302200
27	MECHANICAL DRIVE VARIATOR	1	6201255	1813327
28	BEATER DRIVE	2	6201345	0202182
29	TILTED PLATFORM CHAMBER UPPER SHAFT	1	6201290	2603267
30	CLEANING SHAFT DRIVE	1	6201343	0402155
31	CLEANING FAN DRIVE	2	6201352	2502099
32	SHAKER	1	6201346	0302200
33	MECHANICAL DRIVE VARIATOR	1	6201255	1813327
34	BEATER DRIVE	2	6201345	0202182
35	TILTED PLATFORM CHAMBER UPPER SHAFT	1	6201290	2603267
36	CLEANING SHAFT DRIVE	1	6201343	0402155
37	CLEANING FAN DRIVE	2	6201352	2502099
38	SHREDDER FAN DRIVE	2	6201344	0402170

ROSTSELMACH VECTOR

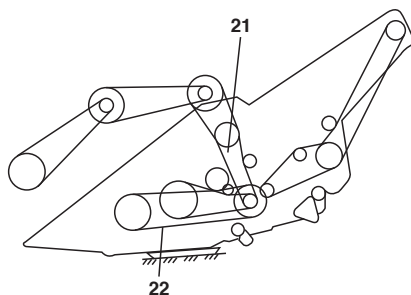
STACKER



PICK UP



PLATFORM



1	MAIN COUNTERDRIVE	1	6201016	0325301
2	BEATER DRIVE	1	6201015	2826318
3	DRUM VARI - DRIVE	1	6201246	2899383
4	FINAL THRESHING UNIT	1	6201272	0337304
5	CLEANING FAN COUNTERDRIVE	1	6201297	1419300
6	CLEANING SHAFT DRIVE	2	6201269	1437204
7	CLEANING FAN DRIVE	1	6201273	2811136
8	ELEVATOR	1	6201275	0337348
9	SHAKER	1	6201326	1902376
10	STRAW STACKER DRIVE	2	6201197	2619352
11	TILTED PLATFORM CHAMBER SHAFT	1	6201251	2625326
12	REAR COUNTERDRIVE	2	6201260	2819534
13	GRAIN COUNTERDRIVE	2	6201271	1437204
14	UNLOADER COUNTERDRIVE	2	6201254	1819202
15	DUST REMOVING FAN	1	6201028	0101105
16	AC COMPRESSOR DRIVE	2	6201327	0172220
17	CUTTING DRUM COUNTERDRIVE	2	6201260	2819534
18	CUTTING DRUM	2	6201017	2802439
19	VARIATOR UPPER SHAFT	1	6201273	2811136
20	PICK UP MAIN SHAFT	1	6201347	0702272
21	REEL VARI-DRIVE	1	6201273	2811136
22	CUTTING UNIT KNIFE	1	6201253	1519244